



# ACCESSORIES



CALL TOLL FREE, USA and Canada 1-800-523-1510 • Fax 1-800-548-1638  
270 New Jersey Drive, Fort Washington, PA 19034 (215)628-0860 Fax (215)643-4623  
Find us on the web @ [www.esdcoin.com](http://www.esdcoin.com)



# ACCESSORIES



21064 WHIRLPOOL DRYER  
EXTENSION  
MODEL: CE2950XS (ELECTRIC)  
MODEL: CG2951XS (GAS)

21053 WHIRLPOOL WASHER EXTENSION  
MODEL: CA2751XS (SINGLE SPEED)  
MODEL: CA2762XS (DOUBLE SPEED)



21748 STANDARD MOUNTING BOLT



6 7/8"

22432 STANDARD MOUNTING BOLT



8 3/8"

ITEM#
21053
21064
22432
21748

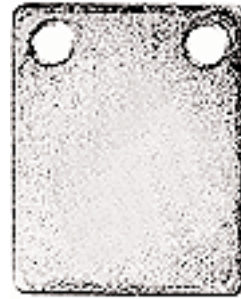


CALL TOLL FREE, USA and Canada 1-800-523-1510 • Fax 1-800-548-1638  
270 New Jersey Drive, Fort Washington, PA 19034 (215)628-0860 Fax (215)643-4623  
Find us on the web @ [www.esdcoin.com](http://www.esdcoin.com)

# ACCESSORIES



22059 PROTECTIVE LOCK COLLAR  
CASE HARDENED

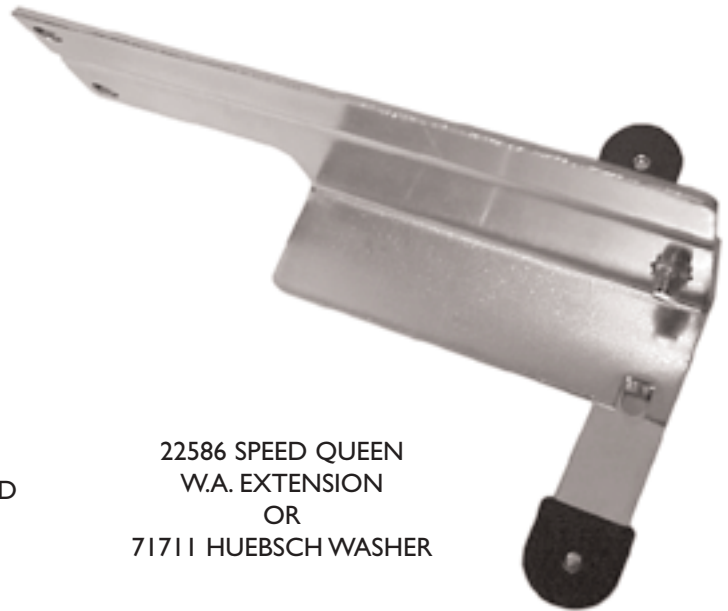


21420 G.E. DRYER EXTENSION



50026 S.Q.DRYER EXTENSION  
OR  
71712 HUEBSCH DRYER

KIT #21598 SEARS WASHER EXTENSION AND  
HARDWARE WITH SPACER  
WASHER & SPECIAL SCREWS



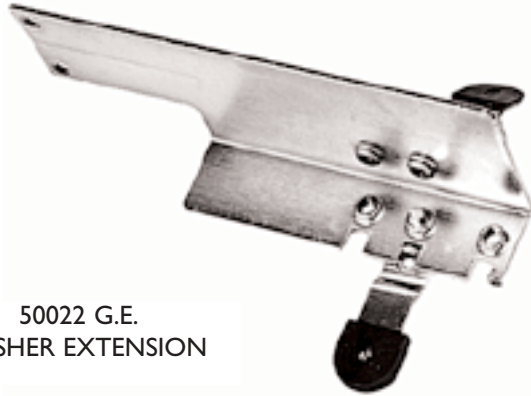
22586 SPEED QUEEN  
W.A. EXTENSION  
OR  
71711 HUEBSCH WASHER

ITEM#
22059
21420
22586 or 71711
50026 or 71712
21598



CALL TOLL FREE, USA and Canada 1-800-523-1510 • Fax 1-800-548-1638  
270 New Jersey Drive, Fort Washington, PA 19034 (215)628-0860 Fax (215)643-4623

# ACCESSORIES



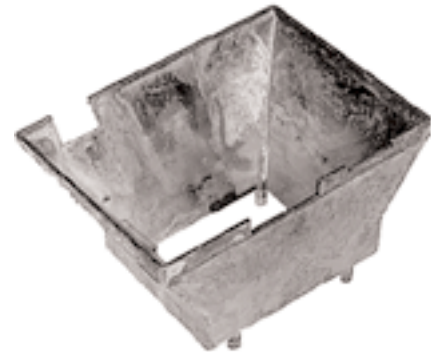
50022 G.E.  
WASHER EXTENSION



20239 WASCOMAT EXTENSION



72143 G.E. FRONT LOAD  
WASHER EXTENSION



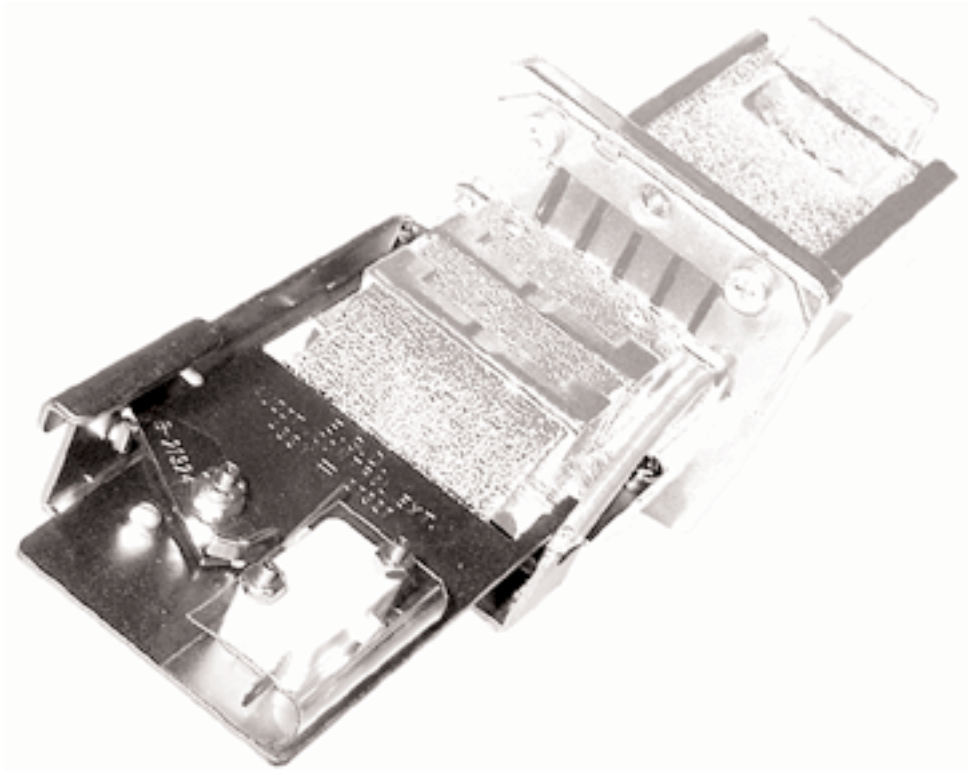
20247 WIDE FUNNEL

ITEM#
50022
20239
72143
20247



CALL TOLL FREE, USA and Canada 1-800-523-1510 • Fax 1-800-548-1638  
270 New Jersey Drive, Fort Washington, PA 19034 (215)628-0860 Fax (215)643-4623

# AUDIT CONTROL SWITCH FOR WHIRLPOOL



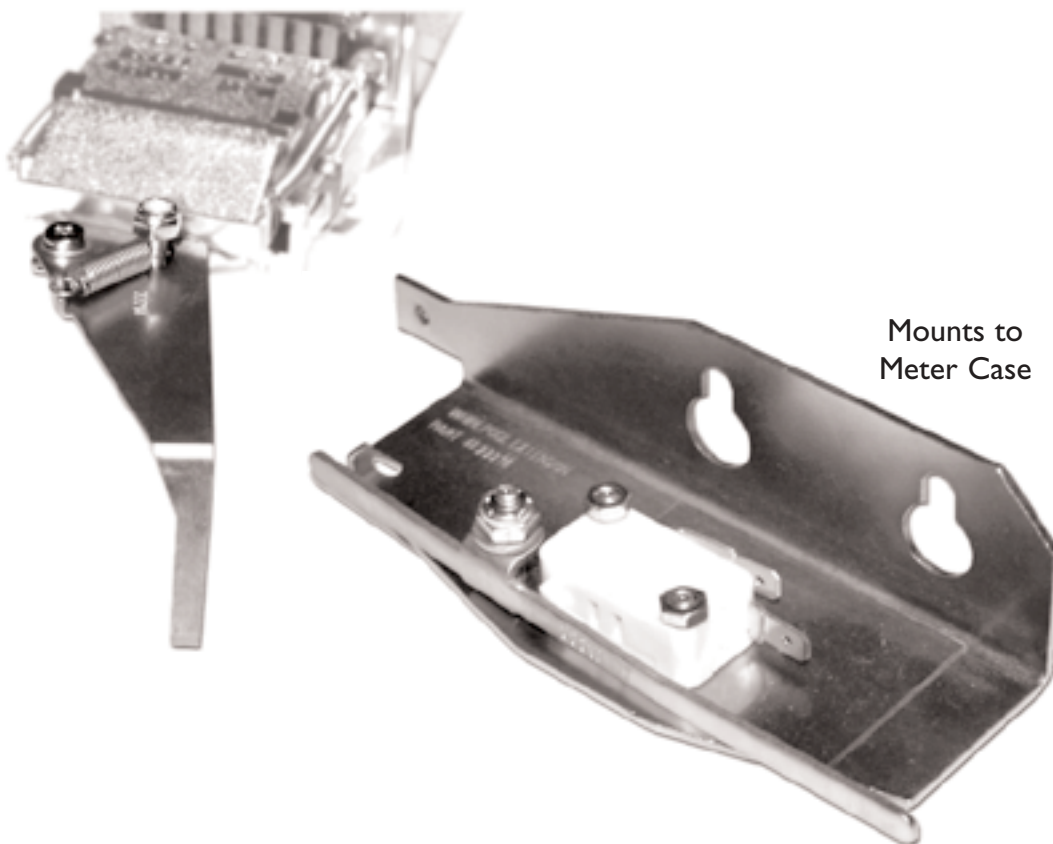
ESD P/N	
VERTICAL 5	21921-71975
VERTICAL 8	21921-21755



CALL TOLL FREE, USA and Canada 1-800-523-1510 • Fax 1-800-548-1638  
270 New Jersey Drive, Fort Washington, PA 19034 (215)628-0860 Fax (215)643-4623

# CYCLE ACTIVATION SWITCH

for Whirlpool EMS 1000 Series



Mounts to  
Meter Case

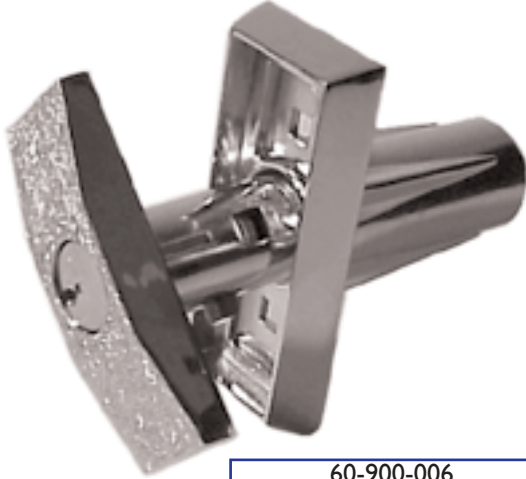
ESD P/N
---------

72119
-------



CALL TOLL FREE, USA and Canada 1-800-523-1510 • Fax 1-800-548-1638  
270 New Jersey Drive, Fort Washington, PA 19034 (215)628-0860 Fax (215)643-4623

# T-HANDLE AND PLUG LOCKS



60-900-006  
REGULAR T-HANDLE



60-900-012  
STAINLESS STEEL  
T-HANDLE

**ESD STANDARD SHAFT INCLUDED**  
ALL OTHER SHAFTS QUOTED SEPARATELY  
**LOCK NOT INCLUDED WITH T-HANDLE**



8759-T



60-900-005  
Includes 2 Keys

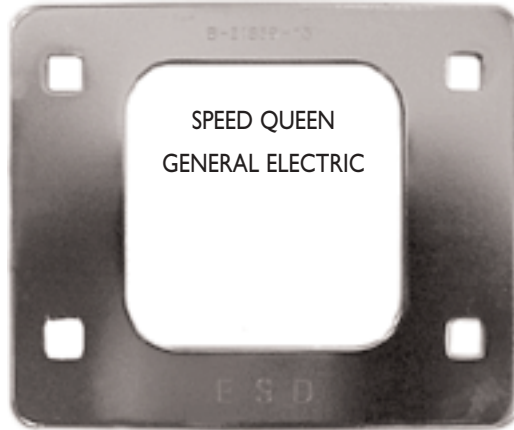
ITEM#	ESD P/N
1	8759-T
2	60-900-005*
3	60-900-012
4	60-900-006

**LOCK NOT INCLUDED WITH T-HANDLE**



CALL TOLL FREE, USA and Canada 1-800-523-1510 • Fax 1-800-548-1638  
270 New Jersey Drive, Fort Washington, PA 19034 (215)628-0860 Fax (215)643-4623

# SNOUT NOSE (BG & BGM & BGW) SECURITY PLATES



SEE BACK OF  
THIS PAGE FOR  
PRODUCT  
APPLICATION

21859



22279

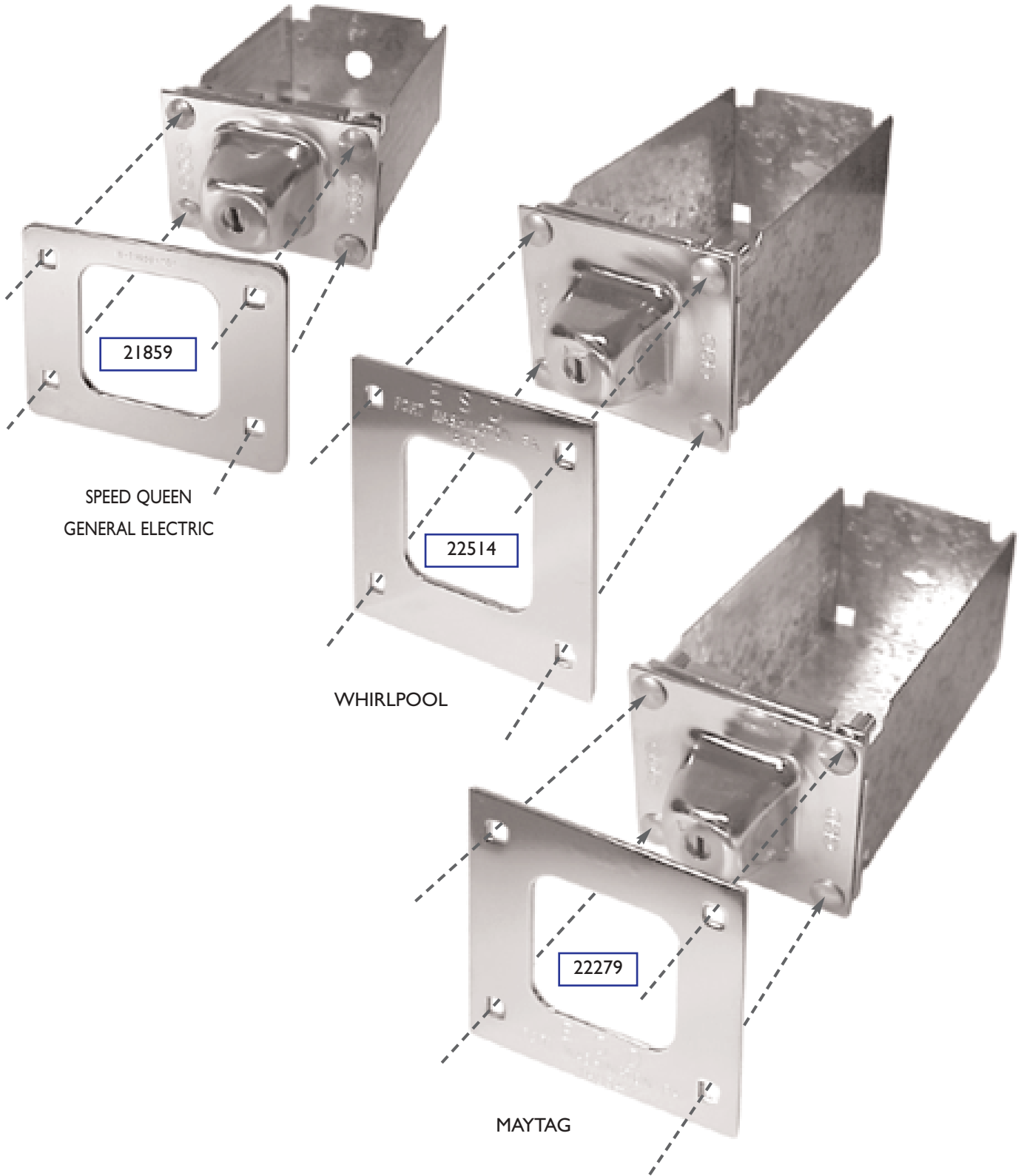


22514

ITEM#	ESD P/N
1	21859
2	22279
3	22514

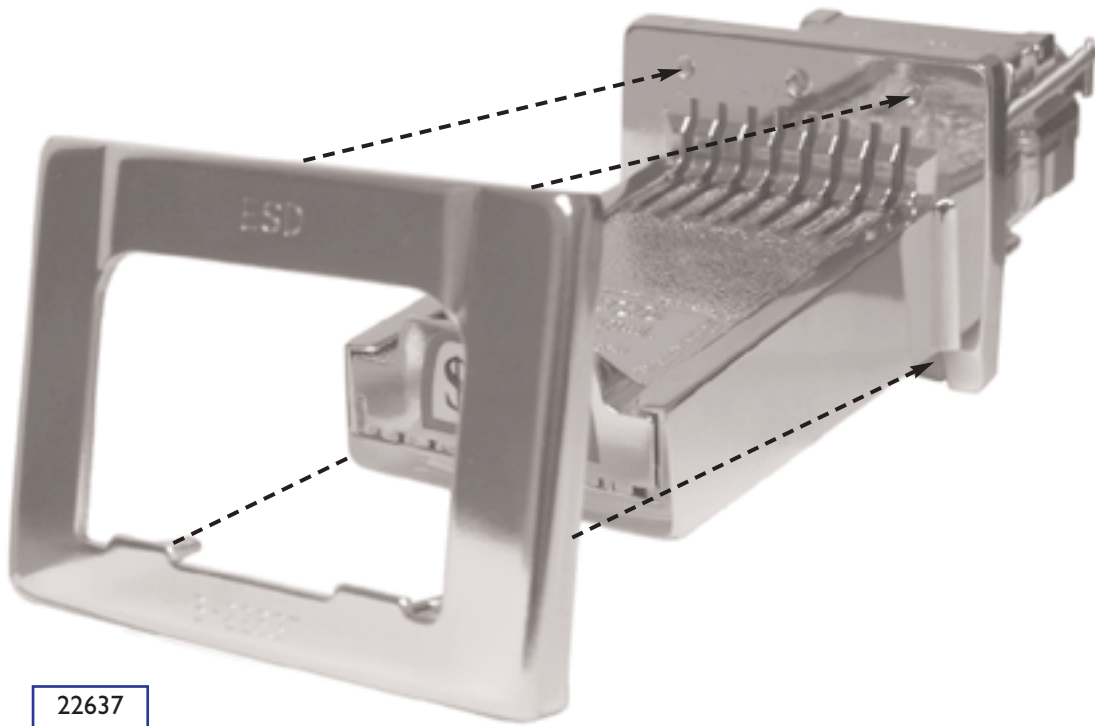


CALL TOLL FREE, USA and Canada 1-800-523-1510 • Fax 1-800-548-1638  
270 New Jersey Drive, Fort Washington, PA 19034 (215)628-0860 Fax (215)643-4623  
Find us on the web @ [www.esdcoin.com](http://www.esdcoin.com)



CALL TOLL FREE, USA and Canada 1-800-523-1510 • Fax 1-800-548-1638  
270 New Jersey Drive, Fort Washington, PA 19034 (215)628-0860 Fax (215)643-4623  
Find us on the web @ [www.esdcoin.com](http://www.esdcoin.com)

# COIN SLIDE GUARD



22637

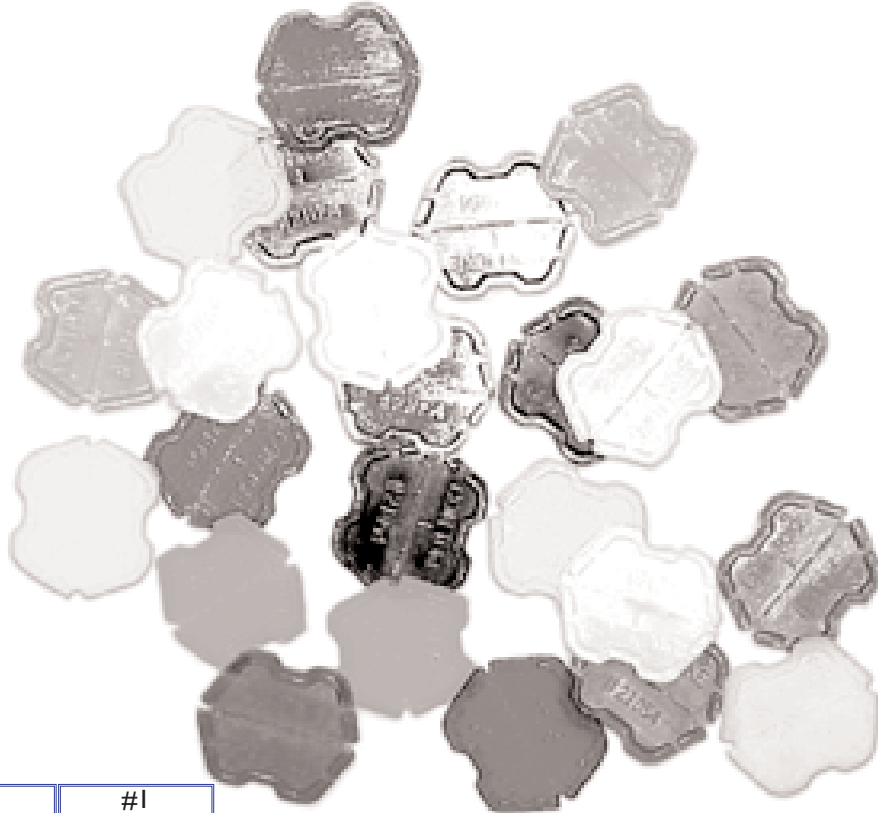
ITEM#	ESD P/N
I	22637

PLATE IS AVAILABLE IN CHROME



CALL TOLL FREE, USA and Canada 1-800-523-1510 • Fax 1-800-548-1638  
270 New Jersey Drive, Fort Washington, PA 19034 (215)628-0860 Fax (215)643-4623  
Find us on the web @ [www.esdcoin.com](http://www.esdcoin.com)

# COIN TOKENS®



#1  
available in:  
black  
blue  
orange  
red  
white &  
yellow



#2  
available in:  
black  
brown  
green &  
white

ITEM#

Coin Tokes 1 or 2

MINIMUM ORDER 1,000  
AVAILABLE IN INCREMENTS OF 1,000 ONLY  
STOCK COLORS: Black, Blue, White, Orange, Gray, Red, Brown, Green, Yellow.



CALL TOLL FREE, USA and Canada 1-800-523-1510 • Fax 1-800-548-1638  
270 New Jersey Drive, Fort Washington, PA 19034 (215)628-0860 Fax (215)643-4623